





**CL.1 Concealed two-way diverter - Chrome**

CL.1

36 200 705



- rotary diverter
- rosette 60 x 60 mm
- with shut-off function

|   |                               |                    |
|---|-------------------------------|--------------------|
|  | Chrome                        | 36 200 705-00 0010 |
|  | Brushed Platinum              | 36 200 705-06 0010 |
|  | Dark Chrome                   | 36 200 705-19 0010 |
|  | Brushed Champagne (22kt Gold) | 36 200 705-46 0010 |
|  | Champagne (22kt Gold)         | 36 200 705-47 0010 |
|  | Brushed Dark Platinum         | 36 200 705-99 0010 |

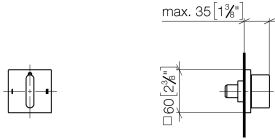
**Required miscellaneous**



- |                                     |               |
|-------------------------------------|---------------|
| <b>Concealed two-way diverter -</b> | 35 202 970-90 |
| •max. recess depth 160 mm           | 0010          |
| •min. recess depth 115 mm           |               |

36 200 705

mm [inches]



**Flow rate chart**



**Codes & Standards**

California Energy  
Commission  
(CEC)



## CL.1 Concealed two-way diverter - Chrome

---

CL.1

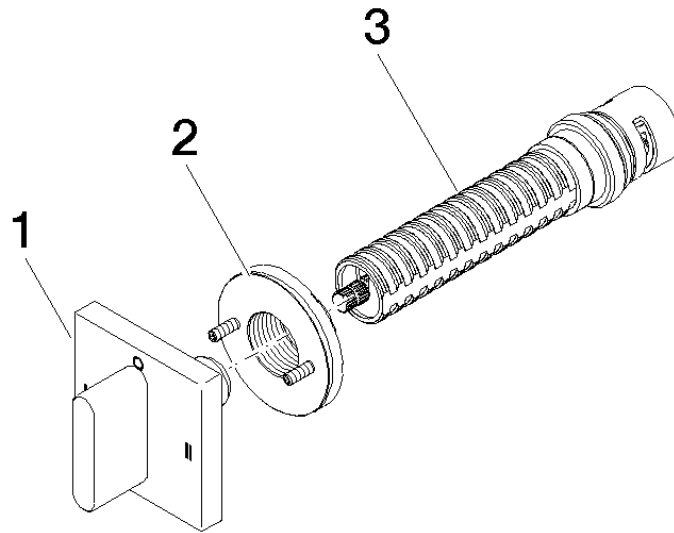
36 200 705

### Certificates

---

IAPMO\_4976 (7).

36 200 705



### Spare parts list

| No. | Item Number        | Name     | Quantity used | Delivery time |
|-----|--------------------|----------|---------------|---------------|
| 1   | 90 20 70 051 09-00 | handle   | 1             | 10            |
| 2   | 90 21 02 181 00 90 | disc     | 1             | 2             |
| 3   | 90 90 03 306 10 90 | diverter | 1             | 2             |